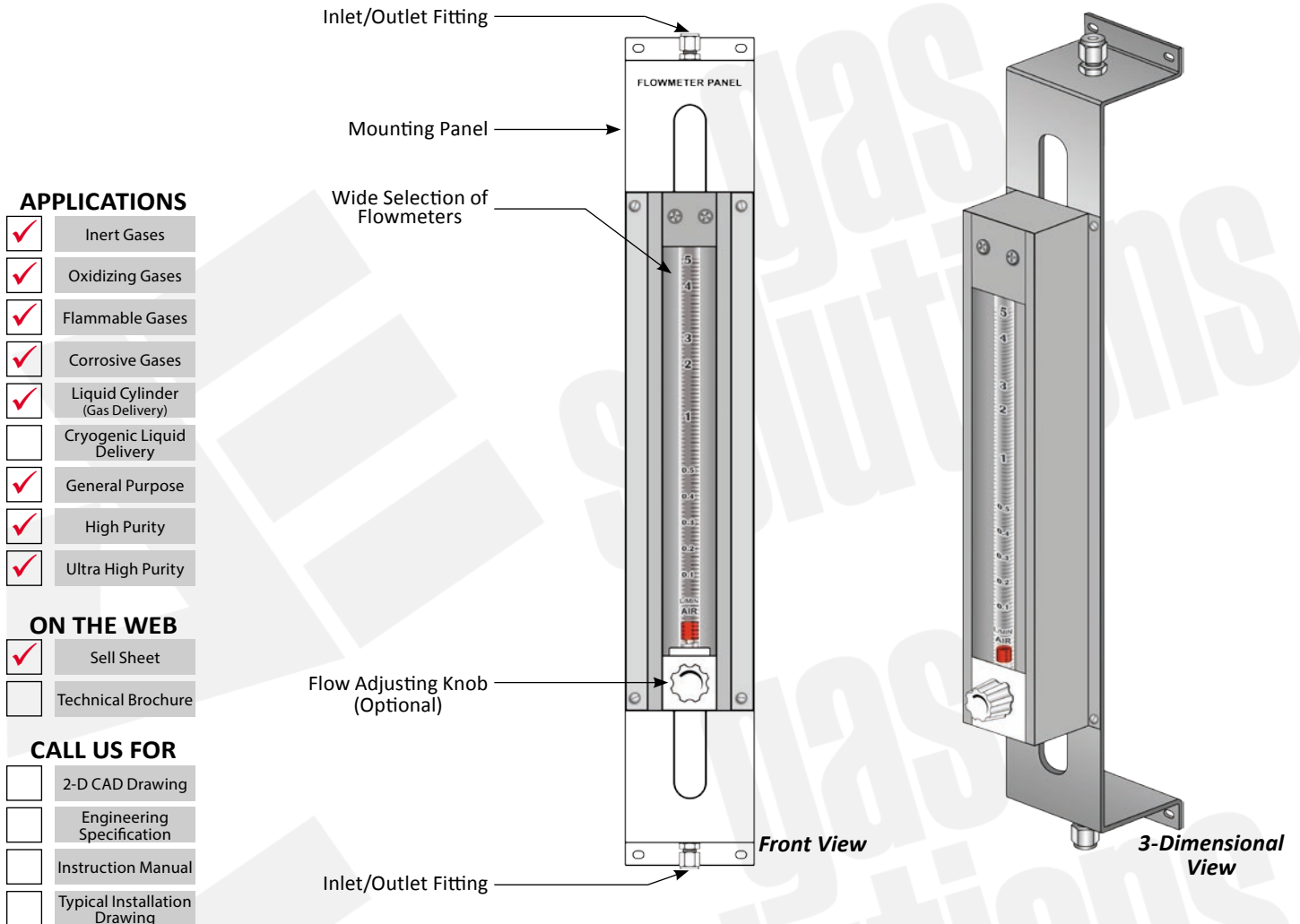


Modular Flowmeter Panels



APPLICATIONS

- Inert Gases
- Oxidizing Gases
- Flammable Gases
- Corrosive Gases
- Liquid Cylinder (Gas Delivery)
- Cryogenic Liquid Delivery
- General Purpose
- High Purity
- Ultra High Purity

ON THE WEB

- Sell Sheet
- Technical Brochure

CALL US FOR

- 2-D CAD Drawing
- Engineering Specification
- Instruction Manual
- Typical Installation Drawing

**Complete
User-Defined
System**

Key Features

- » Flowmeter Mounted Vertically for Accurate Flow
- » Working Pressure up to 14 bar
- » Maximum Temperature upto 120°C
- » Brass or Stainless Steel Construction
- » Borosilicate Glass Tube with wide variety of Flow Ranges

Options

Scale Type	Direct Reading Specific Fluid
Accuracy	± 10%, ± 5%, ± 2% of F. S.
Connections	¼" NPT / ⅛" NPT
FA Valve	With / Without, At Inlet / Outlet
Alarm	With / Without
Mounting	Wall / Solid Surface
Entry / Exit	Back / Top / Bottom

Specifications

» Type of Flowmeter	60 / 90/ 150 / 230 mm Tube
» Flow Range	Up to 50 SLPM of Air
» Type of Gas	All (Including Corrosive Gases)
» Flow Adjustment Valve	Metering Valve (Optional)

Head Office :

21B, Duff Street, Kolkata - 700 006, West Bengal, India

+91-33-23525024

+91-33-23504946

aneer@aneer.net; cad@aneer.net

Aneer Engineers Pvt. Ltd.

DIN EN ISO 9001 : 2008 Organisation

Visit us at : www.aneer.net

Modular Flowmeter Panels

Specifications

<i>Accuracy (Depends on Flowrange Also)</i>	
± 10% F.S., Optional ± 5% F.S.	
± 10% F.S., Optional ± 5% F.S.	
± 5% F.S., Optional ± 2% F.S.	
± 5% F.S., Optional ± 2% F.S.	
Repeatability	± 0.5%
Rangeability	10:1
» Max operating pressure	1400 kPa (14 bar)
» Max operating temperature	120° C

Materials

Fittings	304 SS / 316 SS / Brass
Connections	304 SS / 316 SS / Brass
Sideplate	Anodized Aluminium
Metering Tube	Borosilicate Glass
Float	Glass / Aluminium / 316 SS
Float Stop	Teflon / PA
Tube Packing	Viton / Neoprene
O-Ring	Viton / Neoprene
Adjusting Knob	ABS Plastic

Ordering Information

POPFLO - [] - [] - [] - [] - [] - [] - []

Construction of Flowmeter	Inscribe
304 SS (Standard)	1
316 SS	2
Brass	3

Alarm	Inscribe
No Alarm	0
With Alarm	1

Range	Inscribe
20 - 200 cc/min	02C
50 - 500 cc/min	05C
100 - 1000 cc/min	10C
0.2 - 2 Litres/min	02L
0.5 - 5 Litres/min	05L
1 - 10 Litres/min	10L
2 - 20 Litres/min	20L
3 - 30 Litres/min	30L
4 - 40 Litres/min	40L
5 - 50 Litres/min	50L

FA Valve	Inscribe
No FA Valve	0
Valve at Inlet	1
Valve at Outlet	2

Outlet Connection	Inscribe
¼" NPT (Female) Port	00
¼" NPT (Male)	01
⅛" Compression Fitting	02
¼" Compression Fitting	03
4 mm Hose barb	18
6 mm Hose barb	19
8 mm Hose barb	20
Pushfit Connection for 4 mm PU Tube	4MMPU
Pushfit Connection for 6 mm PU Tube	6MMPU
Pushfit Connection for 8 mm PU Tube	8MMPU

Gas Service	Inscribe
Oxygen	OX
Helium	HE
Nitrogen	NI
Argon	AR
Hydrogen	HY
Acetylene	DA
Carbon Dioxide	CA
Nitrous Oxide	NO
Zero Air	AI

Inlet Connection	Inscribe
¼" NPT (Female) Port	00
¼" NPT (Male)	01
⅛" Compression Fitting	02
¼" Compression Fitting	03
4 mm Hose barb	18
6 mm Hose barb	19
8 mm Hose barb	20
Pushfit Connection for 4 mm PU Tube	4MMPU
Pushfit Connection for 6 mm PU Tube	6MMPU
Pushfit Connection for 8 mm PU Tube	8MMPU

Head Office :

21B, Duff Street, Kolkata - 700 006, West Bengal, India
 +91-33-23525024
 +91-33-23504946
 aneer@aneer.net; cad@aneer.net

Aneer Engineers Pvt. Ltd.

DIN EN ISO 9001 : 2008 Organisation

Visit us at : www.aneer.net

Factory :

Panchanantala, Pardankuni, Hooghly - 712 310, West Bengal, India
 +91-33-26592201 / 4293
 +91-33-26594289
 factory@aneer.net