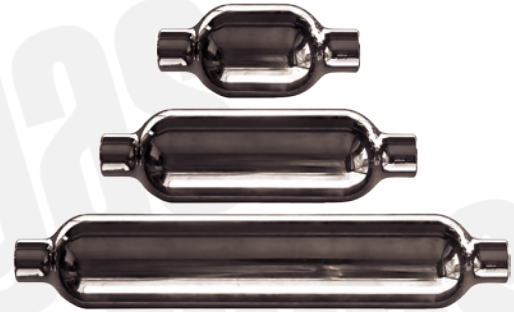


Sample Cylinders

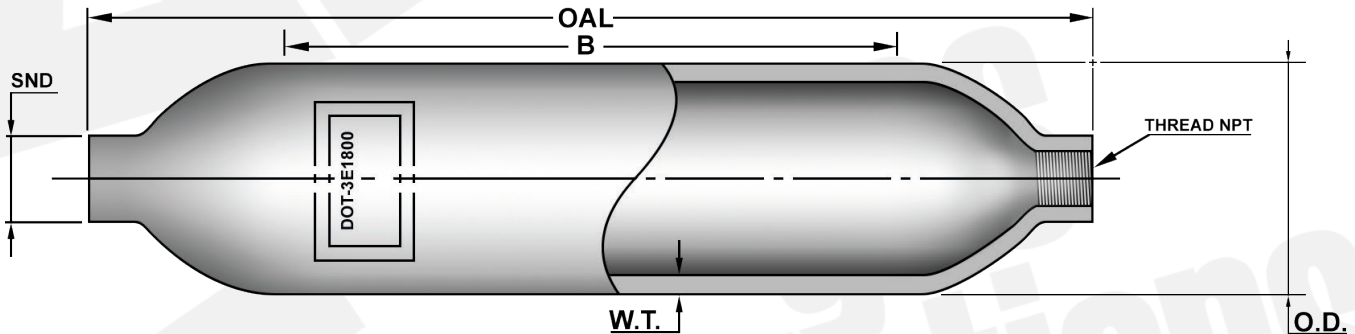
Description

Sampling cylinders permit the extraction of a sample from a remote process location and provide safe containment for storage and transportation to the laboratory for analysis. These cylinders are rated to 170 bar at room temperature for liquids and gases. Some applications include hydrocarbon sampling in refineries, gas sampling in chromatography and condensate sampling in fossil-fuel and nuclear power plants. Pressure surge accumulators or reaction vessels are other common uses for sample cylinders.



Technical Specifications

Properties Table											
No.	Description	Material	Pressure Rating (Kg/cm ² g)	DOT Standard	Min. Volume	B (mm)	OAL (mm)	SND (mm)	Thread (NPT)	O.D. (mm)	W.T. (mm)
1	SAM-100	Stainless Steel 316	170	3E	100 ML	34	125	28	¼ – 18	60	5.5
2	SAM-150				150 ML	60	151				
3	SAM-300				300 ML	140	231				
4	SAM-470				470 ML	230	321				



Ordering Information



Cylinder Capacity	Inscribe
100 ml WC Cylinder	100
150 ml WC Cylinder	150
300 ml WC Cylinder	300
470 ml WC Cylinder	470

Connection - Inlet Side	Inscribe
¼" NPT (Female) Port	00
¼" NPT (Male)	01
½" OD with/without Needle Valve	02/02NS
½" OD with/without Needle Valve	03/03NS

Connection - Outlet Side	Inscribe
¼" NPT (Female) Port	00
¼" NPT (Male)	01
½" OD with/without Needle Valve	02NS/02
½" OD with/without Needle Valve	03NS/03

Notes:

- » Dimensioning and tolerancing per ANSI Y 14.5M.
- » Material: seamless cold-finished stainless steel tubing per ASTM A269.
- » Lot size 50 cylinders.
- » Part free of grease, machine oil & other debris inside and out.
- » Non-destructive acceptance criteria (all cylinders) per DOT 3E: hydrostatic proof test at 255 (+10/-0) kg/cm²g for 5 minutes minimum without failure or evidence of defect.
- » Minimum water volume: see table.
- » Cylinder operating pressure: 170 kg/cm²g

Head Office :

21B, Duff Street, Kolkata - 700 006, West Bengal, India
 +91-33-23525024
 +91-33-23504946
 aneer@aneer.net; cad@aneer.net

Aneer Engineers Pvt. Ltd.

DIN EN ISO 9001 : 2008 Organisation

Visit us at : www.aneer.net